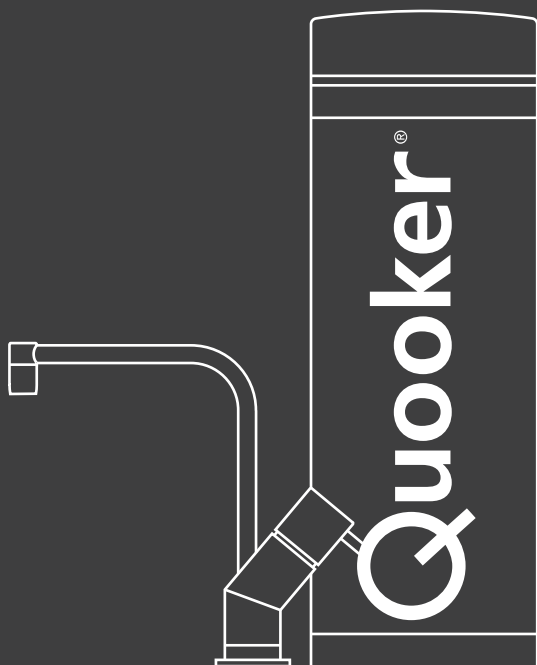


# Facts and figures

behind the Quooker



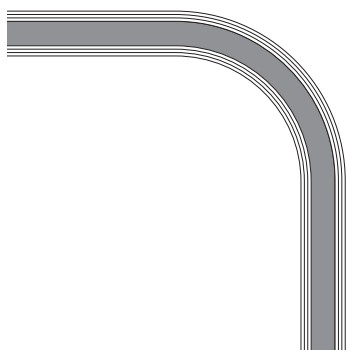
# This booklet

provides all the technical information you need about the Quooker system, which consists of a boiling-water tap connected to a small tank under the kitchen worktop.

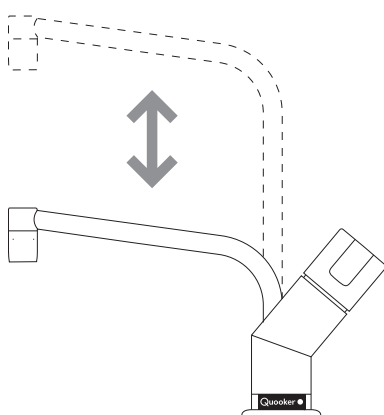
## Taps

Our tap collection comprises eight models – Basic, Classic, Design, Modern, Nordic Square Twintaps, Nordic Round Twintaps, Fusion Square and Fusion Round – and three finishes – chrome, brushed chrome and stainless steel effect. This allows you to find a matching Quooker boiling-water tap for every kitchen and mixer tap.

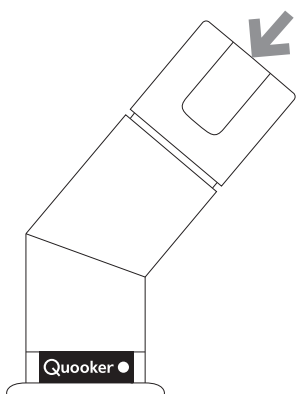
All Quooker taps are equipped with a childproof, push-and-turn handle; the Fusion even has a double-push-and-turn handle. They are also insulated and can rotate 360°. With the exception of the Fusion, Quooker taps are also height adjustable. The adjustable height comes in handy, for instance, when you want to fill a tall pan under the boiling-water tap on your worktop. In this case you simply have to extend the tap to its highest position. When filling a tea cup, for example, adjust the tap to its lowest position. Thanks to the tap's insulated spout, you can do one shortly after the other – just take hold of the spout and move it up or down and/or turn it.



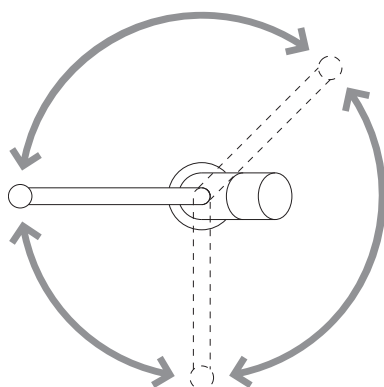
Insulated spout



Height adjustable



Push-and-turn safety handle  
Double push-and-turn for Fusion



360° Rotation

# Tanks

## **PRO3/7-VAQ tank**

VAQ denotes the Quooker tank's revolutionary high-vacuum insulation. A vacuum combined with a heat radiation shield, as used in the VAQ, is the best possible form of insulation. This technology makes the appliance highly energy-efficient and compact. It can even be fitted in kitchens that have drawer units. Mounting brackets are optional and can be purchased as an accessory.

## **COMBI tank**

The Quooker COMBI dispenses boiling water (100°C) through the Quooker boiling-water tap as well as hot water (50-65°C) through the mixer tap. The COMBI serves two purposes: a single appliance that heats the water in both taps on your worktop. And it's the first 'boiler' in the world with high-vacuum insulation. This makes it by far the most energy-efficient hot water system in your kitchen.

The Quooker COMBI sits right below the tap, in your kitchen cupboard (connected to the cold water pipe only), eliminating long runs of piping from the boiler. That means hot water without delay – which also means far less water waste.

# How the Quooker works

The tank is connected to the water supply and the water is heated electrically. The system works as follows:

### **Step 01**

Fresh water flows into the tank.

### **Step 02**

The water is heated to 110°C under mains pressure. It is purified as it goes through the HiTAC® water filter. The high temperature guarantees sterility.

### **Step 03**

Water cools off to 100°C as it flows out of the tap and starts to boil. Calcium conversion takes place (no more tea scum).

### **Step 04**

The water is freshly boiled. When the water comes into contact with your coffee or tea, it is at the ideal temperature of 93°C. If the whole tank of boiling water is used at once, it takes a few minutes for the water to heat up again (see technical specifications).

# Quooker's advantages

## More energy-efficient

- the tap dispenses the exact amount of boiling water you need.
- no more wastage of energy and water due to long pipes.
- the Quooker COMBI uses 50 percent less energy than a kitchen boiler, saving you several dozen pounds on a yearly basis.

## Faster

- time saving: no more waiting for the water to boil.
- the Quooker COMBI immediately dispenses hot water from your kitchen mixer tap.

## Smaller

- a Quooker COMBI is half the size of an average kitchen boiler.
- the Quooker creates space on your worktop: no more need for an electric kettle or coffee maker.

## Safer

Boiling water and children can be a dangerous combination. This is true for stovetop kettles, electric kettles and Quookers. But the Quooker has:

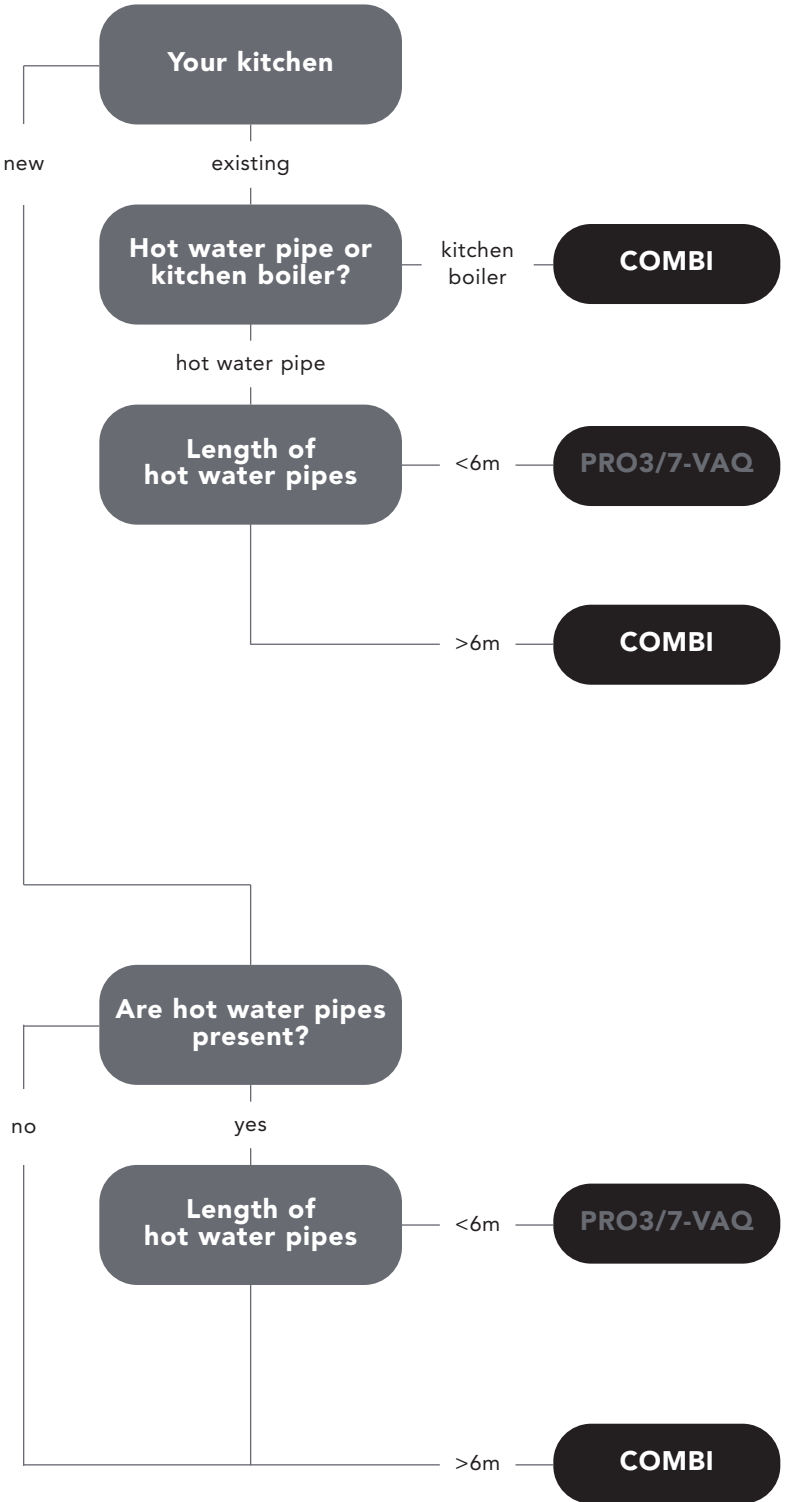
- a childproof tap with a push-and-turn handle.
- a double-walled spout, preventing it from becoming too hot to hold.
- a tap that dispenses water as a fine spray rather than a hard jet, which helps protect against burns.
- a height adjustable tap. As the spout can be positioned directly above the object to be filled, it doesn't splash.
- the possibility of low water temperatures without the risk of legionella infection (COMBI).

## Innovative

- the Quooker is a Dutch invention (and is made in the Netherlands).
- the COMBI has a patented dual purpose.
- the Quooker has high-vacuum insulation rather than foam or glass fibre insulation, making it very compact and energy-efficient. This insulation technology is also patented.
- the Quooker tank is made of stainless steel rather than copper, steel or plastic, making it hygienic and easily recyclable and therefore sustainable.
- the Fusion has a double-push-and-turn handle, which makes it extra safe.

# Which Quooker when?

The table below shows which Quooker best suits your personal situation.



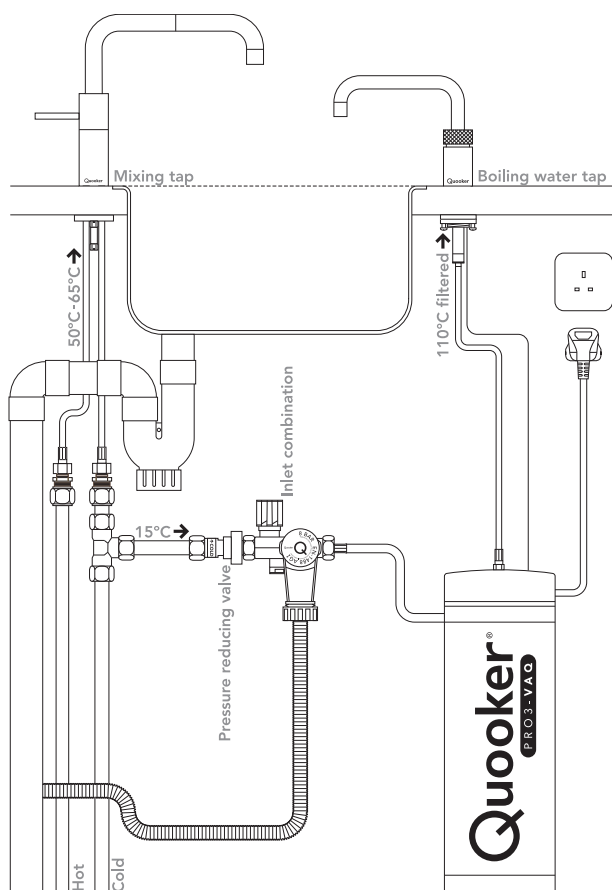
# Technical specifications

Tank	PRO3	PRO7	COMBI
Voltage (V)	230	230	230
Wattage (W)*	1600	2900	2200
Capacity (litres)	3	7	7
Heating-up time (minutes)*	10	15	20
Stand-by power consumption (W)*	10	10	10
Tank height (cm)	40	47	47
Total height requirement (cm)	48	55	55
Tank diameter (cm)	15	20	20
Tap hole			
- boiling-water-tap (mm)	32	32	32
- mixer tap (mm)	35	35	35
- Fusion (mm)	35	35	35
- soap dispenser	25	25	25
Min. cold water pressure (bar)	2	2	2
Min. hot water pressure (bar)**	2	2	-
Recomm. pressure (bar)	2-4	2-4	2-4
Volume at 40°C (litres)*	-	-	27
Volume at 60°C (litres)*	-	-	15
Mounting bracket optional	yes	yes	yes
Safety feature	- maximum temperature fuse - pressure relief valve 8/10 bar		
HiTAC® water filter	High Temperature Activated Carbon		

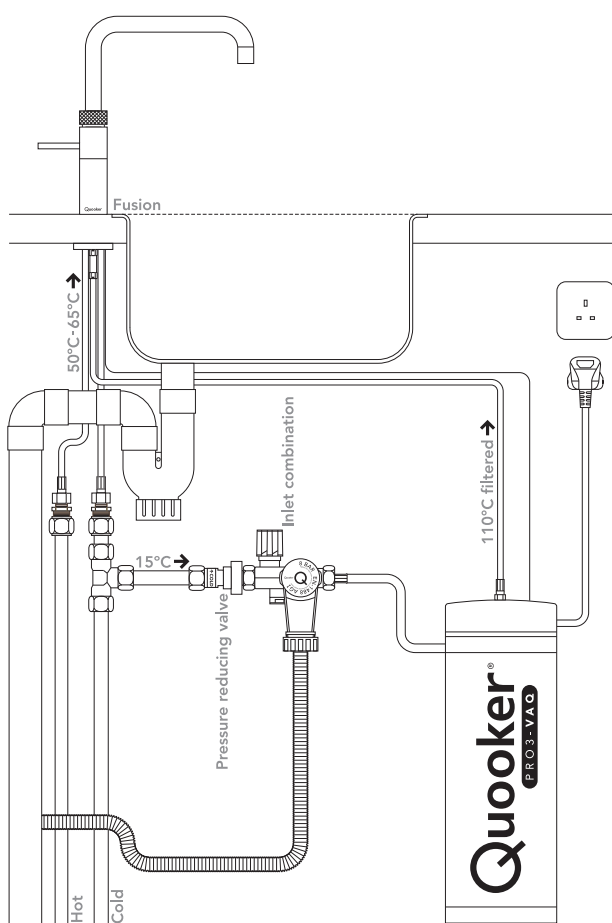
\*These are average values.

\*\*Only applicable for Nordic Twintaps and Fusion

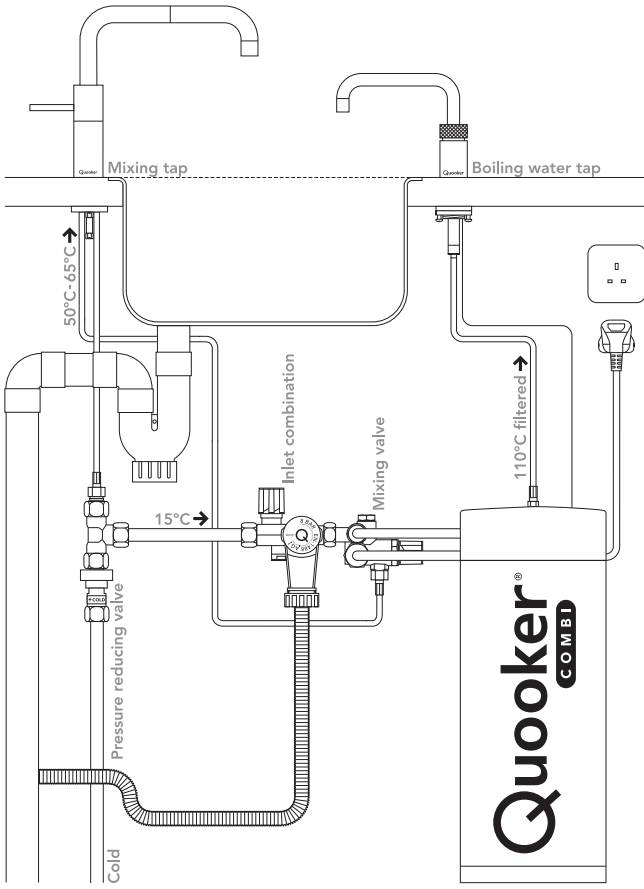
# Installation overviews



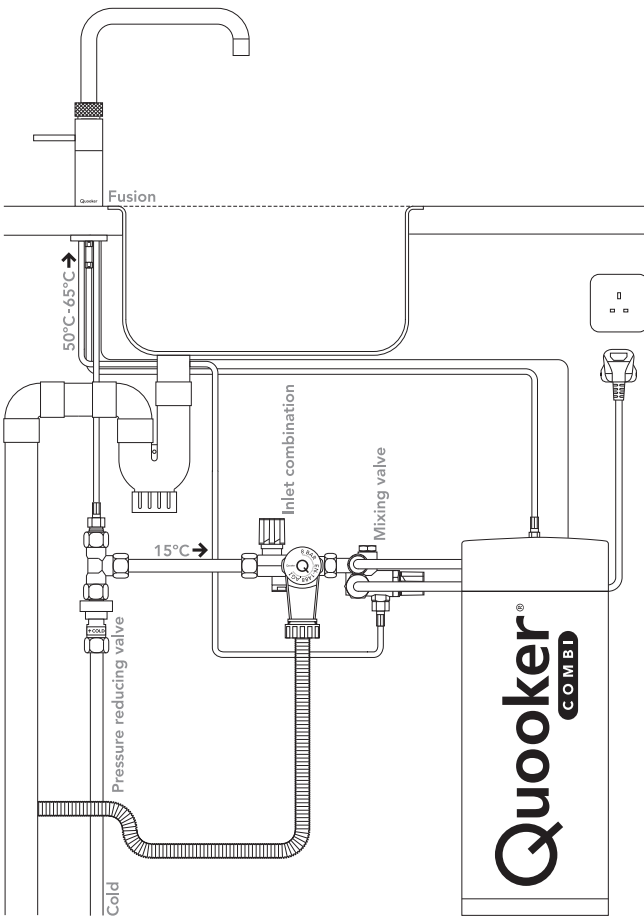
PRO3/7-VAQ with Twintaps or Single taps



PRO3/7-VAQ with Fusion



COMBI with Twintaps or Single taps



COMBI with Fusion



# Installation

All that's needed to install a Quooker is a socket and a water supply. The Quooker comes with a handy installation kit for easy fitting, including the necessary inlet combination.

# Maintenance

If you live in an area free from scale, the HiTAC® filter should be changed once every five years. This can be done easily yourself and filters are available directly from Quooker. However, if you prefer, you can arrange a service by one of our experienced engineers.

If you live in a hard water area, lime scale will collect at the bottom of the tank and will need to be cleaned out approximately once a year depending on the usage and quality of the water in your area. Again, this can be done yourself or by one of our engineers. Alternatively, you can install the Quooker Scale Control or another suitable descaling system. This system must not reduce the pH level of the water. Scale filters are also available directly from Quooker as an optional extra.

# Warranty

The warranty period is two years parts only.

[www.quooker.co.uk](http://www.quooker.co.uk)  
for more information