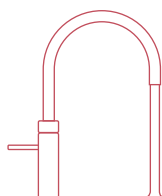


Installation guide Nordic mixer taps

Before installing read this guide first



Quooker®

Introduction

Installation, maintenance and warranty

The Nordic Twintaps are our latest innovation for your kitchen – a boiling-water tap and mixer tap in the same style and finish. The Twintaps are available in two styles. The Nordic Round Twintaps have a curved spout and the Nordic Square Twintaps have a square spout. Both styles are available in a chrome or brushed chrome finish.

In this installation guide you will find the technical specifications, installation instructions and further information for the Nordic mixer tap. For details on the installation of the tank and Nordic boiling-water tap, please refer to the main installation guide.

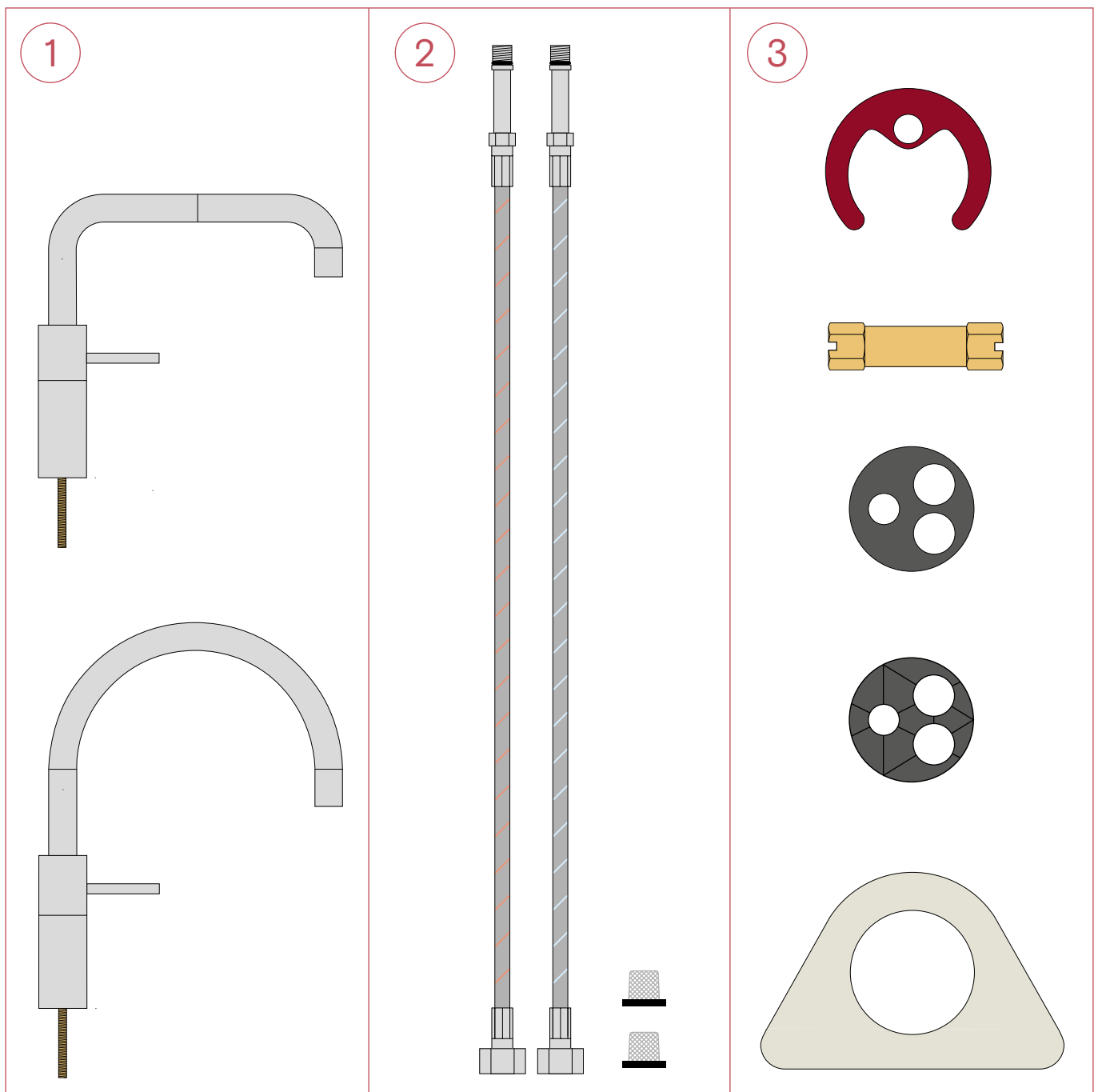
For details on maintaining the mixer tap, please refer to section D in this manual. The warranty period is 2 years. More information on maintenance and warranty conditions for the Nordic Twintaps can be found in the main installation guide.

Technical specifications

Mixer tap	Nordic Round and Square
Tap hole size	35 mm
Recomm. temperature hot water	60°C
Tap base plate optional	yes

Contents of the pack

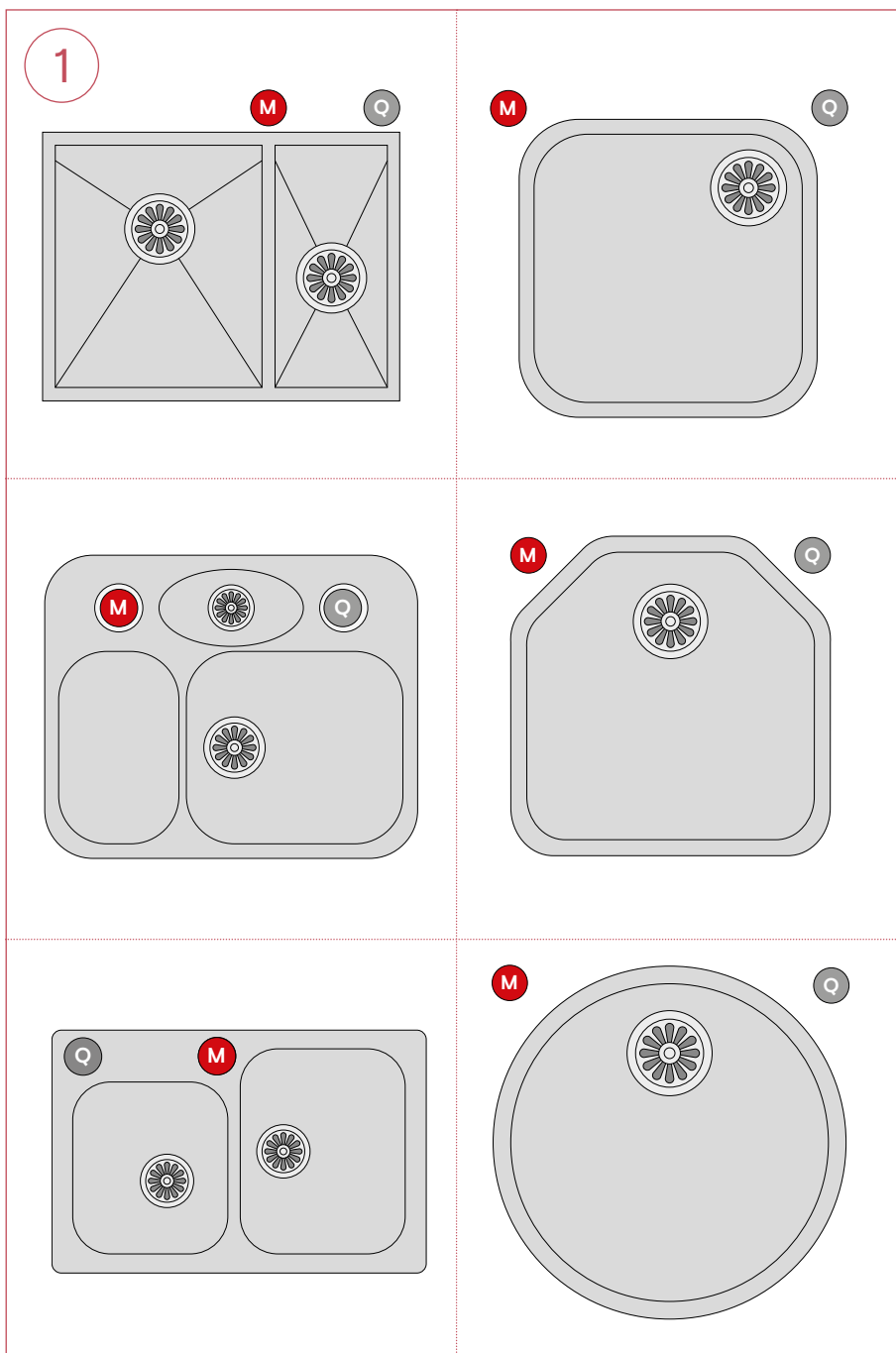
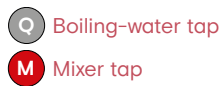
- 1 Nordic Square mixer tap or Nordic Round mixer tap
- 2 Hot and cold water inlet hoses and two inlet hose screens
- 3 Brass fixing plate, fixing nut, black plastic insert (for 35 mm hole), black rubber washer (for 32 mm hole) and white tap support (for thin work top)



A

Drilling hole

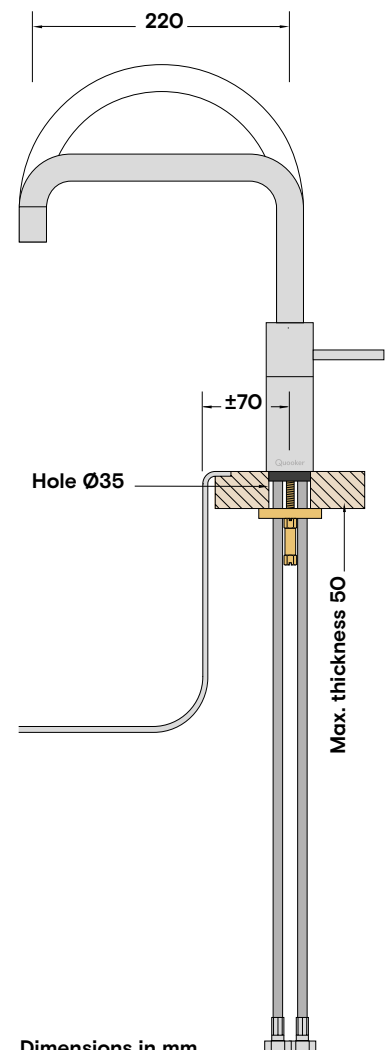
- The images below offer some advice on where to best position the mixer tap.
- The Nordic mixer taps have a reach of 22.5 cm from the centre of the tap hole – keep this in mind when choosing the tap position.



1 Drilling hole

Select a suitable position for the mixer tap (see examples).

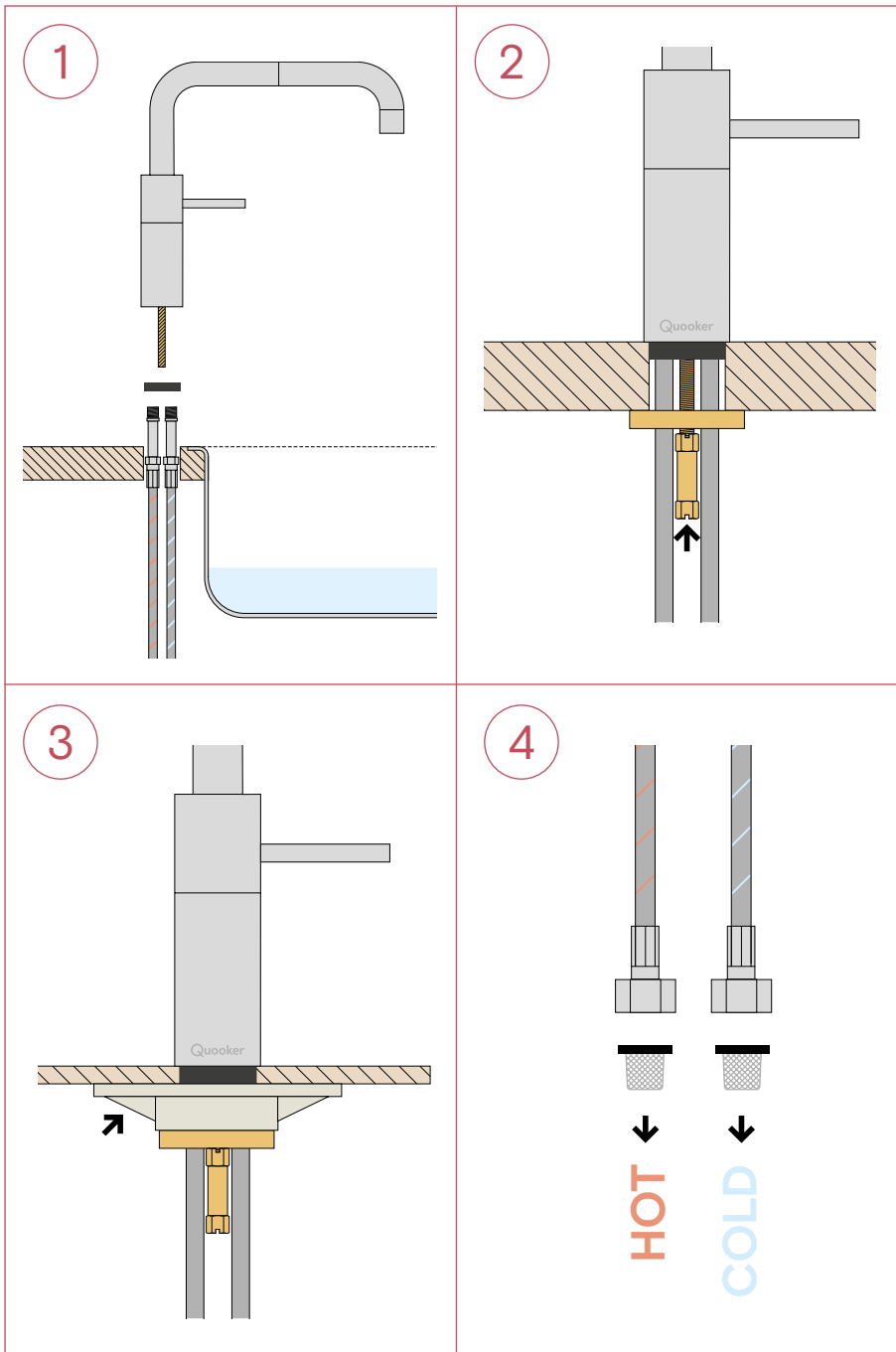
Using the correct drill bit, drill a hole of 35 mm through the work top.



B

Fitting tap

- When fitting the tap into an existing 32 mm hole, use the black rubber washer instead of the plastic insert.



1 Fitting tap

Push the supplied inlet hoses through the black plastic insert and connect the hoses to the base of the mixer tap. Push the hoses through the hole in the work top.

2 Securing tap

Position the brass fixing plate around the hoses. Screw the fixing nut onto the tap thread. Adjust the position of the tap to ensure that the Quooker logo is facing the user. When the handle is in the cold position, it will be parallel to the edge of the work top. Tighten the fixing nut with a pipe wrench, socket wrench or spanner.

3 Fitting to thin work top

When fitting to a thin work top, use the white tap support.

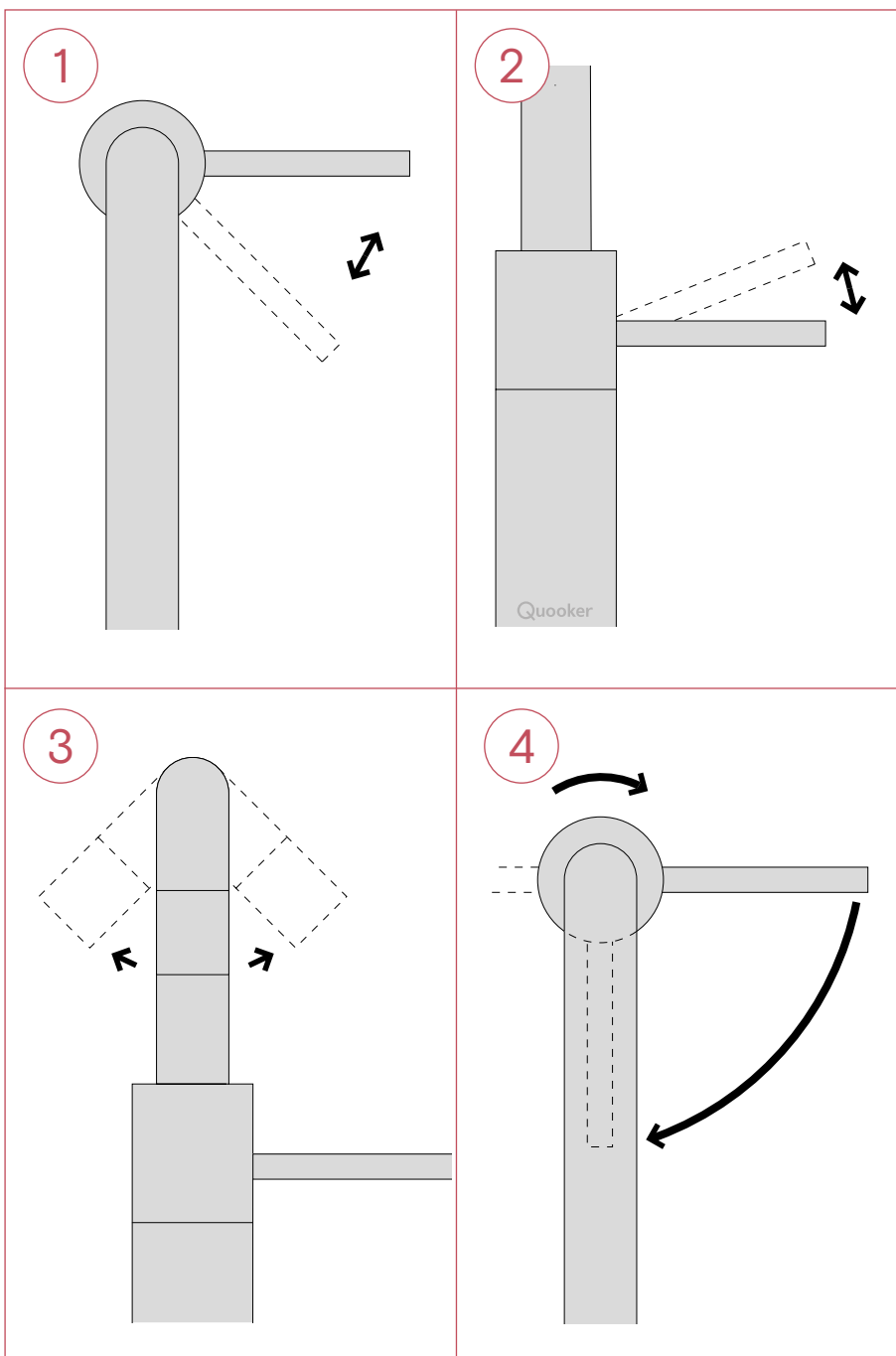
4 Connect hoses

Insert the inlet hose screens and connect the hot and cold water inlet hoses to the hot and cold water supply.

C

Use

- NOTE: Never turn the spout of the tap all the way to the back. This can cause the spout to come loose.



1 Hot and cold water

Pull the tap handle towards you to tap hot water and push it away from you for cold water.

2 Regulating the flow of water

To open the tap pull the handle upwards. The further you pull, the more water will be released.

3 Rotating spout

The chrome-finished Nordic Square has a rotating spout you can use to clean your sink.

4 Adjusting tap handing

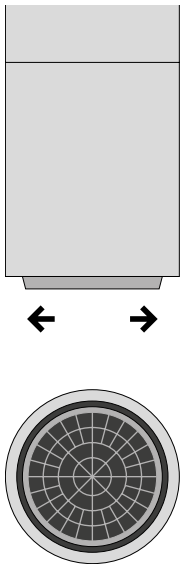
If required, the tap handing of the mixer tap can be adjusted for lefthand use. Loosen the fixing nut of the mixer tap under the work top. Viewed from above, turn the base of the tap 90 degrees clockwise. Tighten the fixing nut to secure the tap in place.

D

Maintenance

- In hard water areas we recommend cleaning the tap nozzle of the mixer tap regularly. The tap nozzle has been fitted with a rubber insert which will allow you to easily wipe away any limescale without removing the nozzle. The tap itself can be cleaned with a soft cloth and mild (non-acidic), nonabrasive soap.

1



1 Descaling aerator

If the flow of water is irregular, wipe of the scale from the outside of the aerator.

Quooker®

Quooker Emirates LLC
Indigo Central 2, Al Safa 2
Sheik Zayed Road
PO Box 391161, Dubai (UAE)
Telephone +971 (0)4 330 3063
info@quooker.ae
quooker.ae